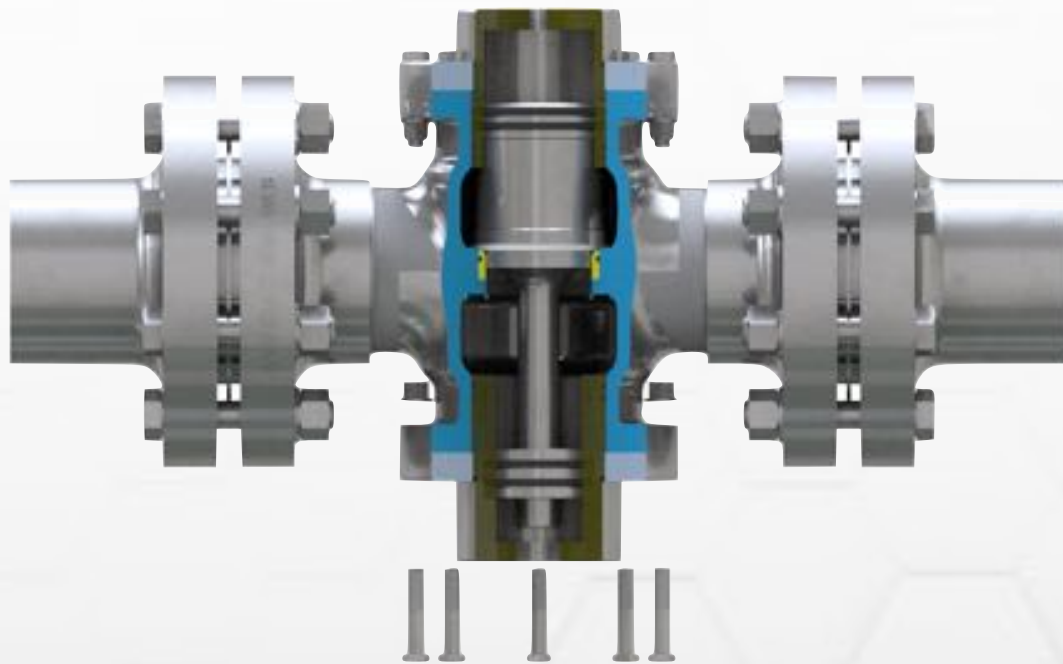


Hydrocore™ Control Valves

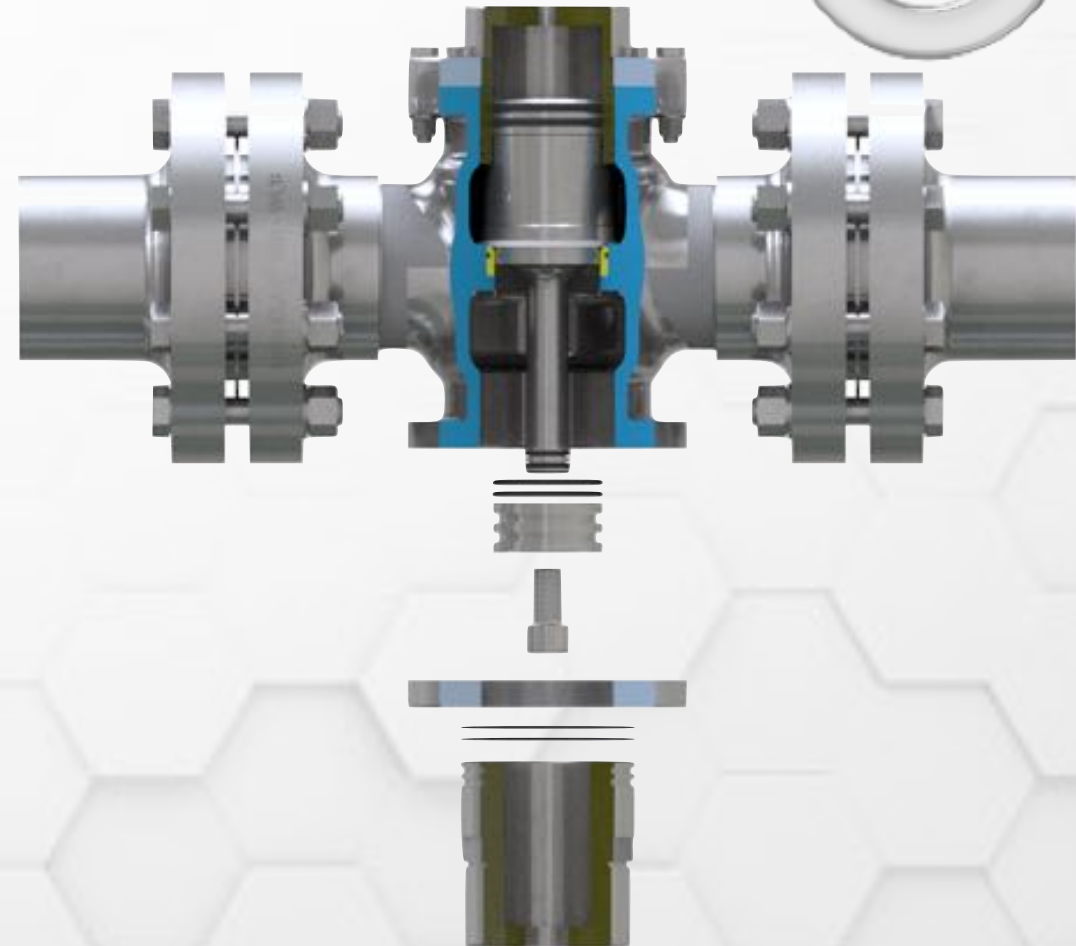
Modifying the Ratio



HYDROCORE
LIMITED
*The smart
solutions for
your business*



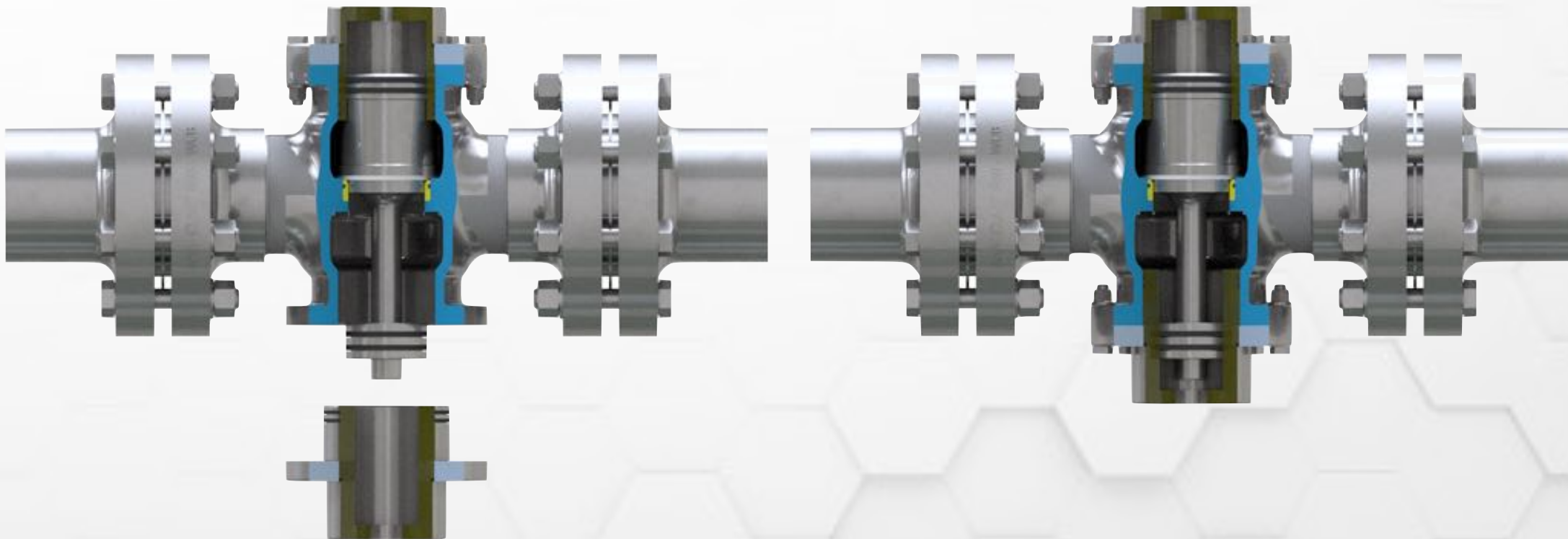
STEP 1
UNSCREW BOTTOM BOLTS



STEP 2
REMOVE BOTTOM COVER AND SLEEVE. DISASSEMBLE
SHUTTLE BOTTOM AND BOTTOM SLEEVE



Hydrocore™ Control Valves Modifying the Ratio



STEP 3

REPLACE NEW SHUTTLE BOTTOM AND SEALS WITH APPROPRIATE SHUTTLE BOTTOM FOR NEW RATIO. REPLACE NEW BOTTOM SLEEVE AND SEALS WITH APPROPRIATE BOTTOM SLEEVE FOR NEW RATIO.

STEP 4

INSERT NEW SLEEVE AND BOLT COVER TO THE BODY

